



Sounder-Strobe-Combination AXL04

Loud signalling devices with 32 different signals and 2 Joule strobe light

- ▶ Volume: approx. 105 dB(A)
- ▶ 2 stage alarm
- ▶ Flash energy 2 Joule
- ▶ Low current consumption
- ▶ Simple Installation

Application

The AXL04 is very versatile in its application. The Sounder-strobe-light-combination AXL04 is often used in burglar and fire alarm systems, office building, hospitals or airports.

Design

Thanks to its housing, the AXL04 is suitable for use both indoors and outdoors. The device generates 32 different signal tones, which can be set individually by the user. Flash energy 2 Joule.

The optical and acoustical signal can be controlled separately of each other. The design of the housing enables simple installation.

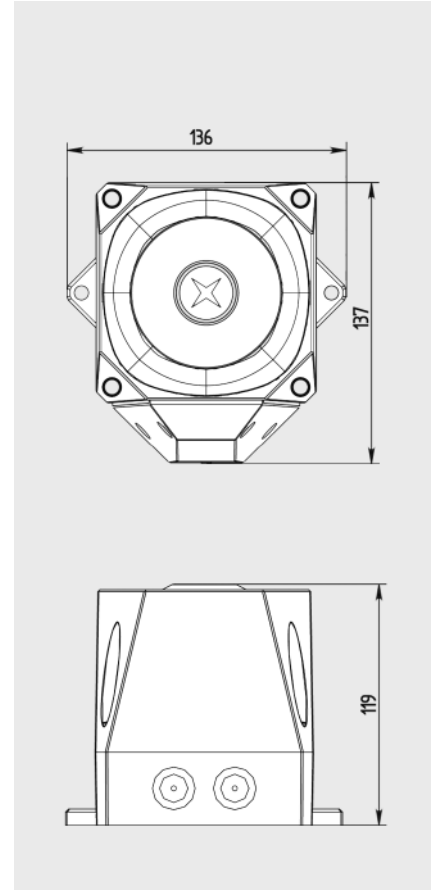
Signalling device

for use in an airport.



Technical specifications

| | |
|-------------------|-------------------------|
| Housing | ABS |
| Colour | red |
| Cap | clear, red, amber, blue |
| Protection degree | IP 66 |
| Flash energy | 2 Joule |
| Volume | approx. 105 dB(A) |
| Signals | 32 |
| Temperature range | -25 °C up to +70 °C |
| Weight | approx. 0.5 kg |



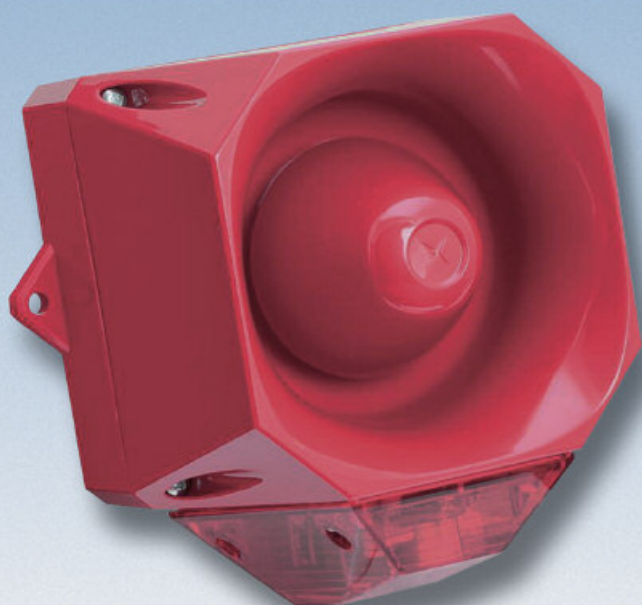
Order information

* The full article number is made up by appending the colour code for the coloured cap to the article numbers given below.

| | |
|----------------|----|
| transp. | 01 |
| red | 02 |
| amber | 03 |
| blue | 05 |

| Type | Name | Rated voltage | Art. no. |
|-------|----------------------------|---------------|-------------------|
| AXL04 | Sounder-Strobe-Combination | 115 / 230 VAC | 225 107 . . . 100 |
| AXL04 | Sounder-Strobe-Combination | 9 – 60 VDC | 225 113 . . . 100 |

Subject to change without notice · Printout 04/13



Sounder-Strobe-Combination AXL05

Loud signalling device with 32 different signals and a 2.5 Joule strobe light

- ▶ AC and DC versions
- ▶ High volume up to 112 dB(A)
- ▶ Low current consumption
- ▶ Choice of 32 different signal tones
- ▶ Strobe light 2.5 Joule
- ▶ Robust and reliable

Application

The combination consists of a loud, compact signalling device with good directivity and a 2.5 Joule strobe light. The optical and acoustic signals can be controlled separately from each other. The IP 66 housing qualifies the device for use both indoors and outdoors.

Design

The housing consists of ABS/Poly-carbonate. The sounders are equipped with 32 different tones and are therefore suitable for universal use.

The signal tone is selected with a DIP switch. All versions are designed for a two-stage alarm.

The strobe light is controlled via a separate connection terminal.

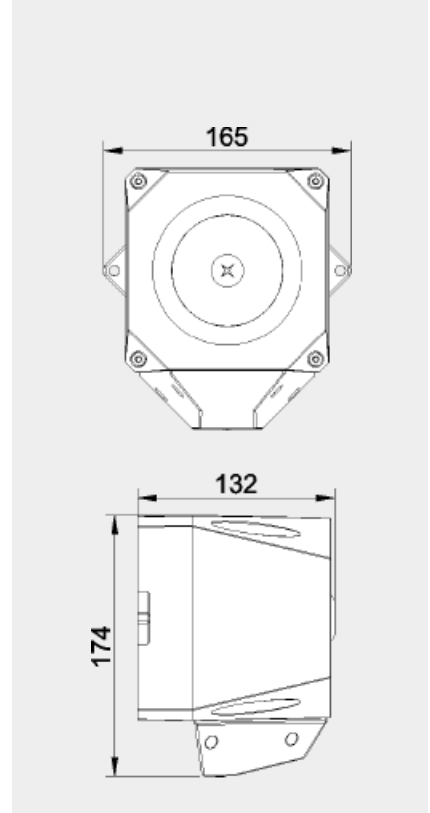
Signalling device with good directivity and a strobe light

for use indoors and outdoors.



Technical specifications

| | |
|-------------------|---------------------------|
| Housing | ABS |
| Colour | red |
| Cap | Polycarbonate |
| Protection degree | IP 66 (IEC 60529) |
| Cable gland | knockouts |
| Volume | approx. 112 dB(A) |
| Flash energy | 2.5 Joule |
| Signals | 32 different signal tones |
| Temperature range | -25 °C to +70 °C |
| Weight | approx. 0.8 kg |



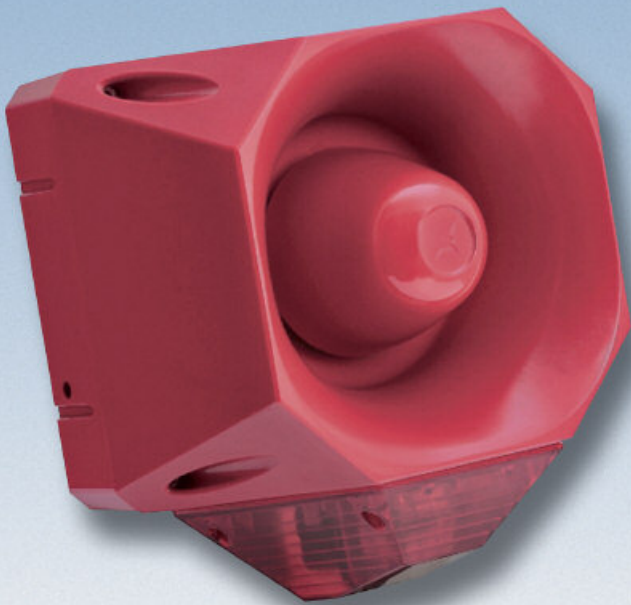
Order information

* The full article number is made up by appending the colour code for the coloured cap to the article numbers given below.

| | | | |
|--|----------------|--------------|--------------|
| | transp. | 230 V | 115 V |
| | red | 24 V | |
| | amber | 01 | 010 |
| | blue | 02 | 020 |
| | | 03 | 030 |
| | | 05 | 050 |

| Type | Name | Rated voltage V | Volume dB(A) | Art. no.* | 230 V | 115 V |
|-------|----------------------------|-----------------|--------------|-----------|-------|-------|
| AXL05 | Sounder-Strobe-Combination | 230 VAC | approx. 112 | 225 107 | .. | .. |
| AXL05 | Sounder-Strobe-Combination | 115 VAC | approx. 112 | 225 106 | .. | .. |
| AXL05 | Sounder-Strobe-Combination | 9 - 60 VDC | approx. 110 | 225 113 | .. | .. |

Subject to change without notice · Printout 04/12



Sounder-Strobe-Combination AXL08

Loud signalling device with 42 different signals and a 3.5 joule strobe light

- ▶ AC and DC versions
- ▶ High volume up to 120 dB(A)
- ▶ Low current consumption
- ▶ Choice of 42 different signal tones
- ▶ Strobe light 3.5 Joule / 2 Joule
- ▶ Sturdy and reliable

Application

The combination consists of a loud, compact signalling device with good directivity and a 3.5/2.0 Joule strobe light. The optical and acoustic signals can be controlled separately of each other.

The IP 66 housing qualifies the device for use both indoors and outside.

Design

The housing consists of ABS. The sounders are equipped with 42 different tones and are therefore suitable for universal use.

The signal tone is selected with a DIP switch. All versions are designed for a three-stage alarm.

The strobe light is controlled via a separate connection terminal.

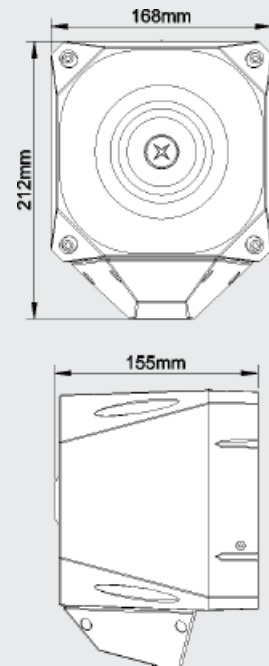
Signalling device with good directivity and a strobe light

for use indoors and outside.



Technical specifications

| | |
|-------------------|------------------------------------------------------------------|
| Housing | ABS |
| Colour | red |
| Cap | Polycarbonate |
| Protection degree | IP 66 (IEC 60529) |
| Cable gland | knockouts |
| Volume | approx. 105 - 120 dB(A) adjustable (depending on signal tone) |
| Flash energy | 3.5 Joule / 2 Joule |
| Signals | 42 different signal tones |
| Temperature range | -25 °C to +70 °C |
| Weight | approx. 1.8 kg / 2.5 kg |



Order information

* The full article number is made up by appending the colour code for the coloured cap to the article numbers given below.

| | |
|----------------|----|
| transp. | 01 |
| red | 02 |
| amber | 03 |
| blue | 05 |

| Type | Name | Rated voltage V | Flash Energy | Volume dB(A) | Art. no.* |
|-------|----------------------------|-----------------|--------------|--------------|------------|
| AXL08 | Sounder-Strobe-Combination | 230 VAC | 2 Joule | 120 | 225 207 .. |
| AXL08 | Sounder-Strobe-Combination | 18 - 30 VDC | 3.5 Joule | 110 | 225 213 .. |

Subject to change without notice · Printout 09/13