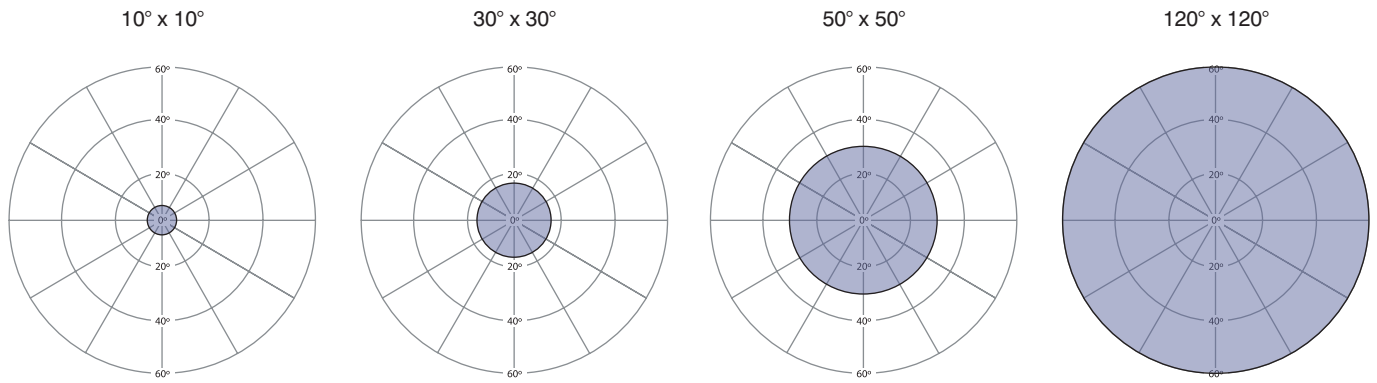
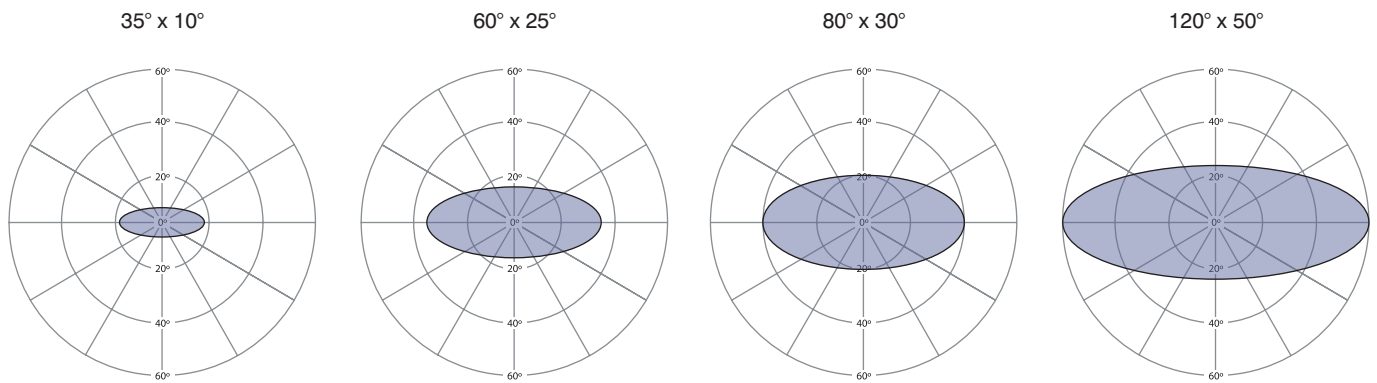


Beam patterns - Circular

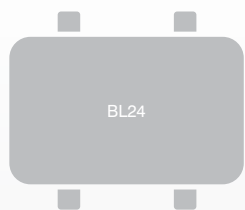


Beam patterns – Elliptical (VARIO)

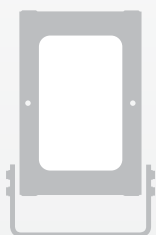


Products in the SPARTAN Bulkhead range

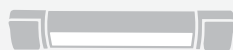
Zone 1, Zone 2, UL/CSA, Industrial
Intelligent Emergency variants also available



Products in the SPARTAN Family



SPARTAN Flood



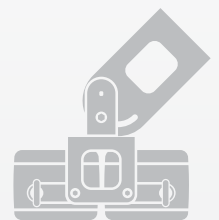
SPARTAN Linear



SPARTAN Bulkhead



SPARTAN Bay



SPARTAN Crane