



Type 414 82



Type 414 81



Type 413 85



Type 413 84

Technical data

Ex-control stations type 413. and 414. for individual configuration

Marking accd. to 2014/34/EU	⊕ II 2 G Ex ed ib m IIC T6 <sup>1)</sup> ⊕ II 2 D Ex tD A21 IP66 T80 °C
EC-Type Examination Certificate	PTB 00 ATEX 3117 <sup>1)</sup>
IECEX Certificate of Conformity	IECEX BK1 04.0003 <sup>1)</sup>
Marking accd. to IECEx	Ex e II T6, Ex e ib IIC T6, Ex ed IIC T6 or Ex ed ib IIC T6 <sup>1)</sup>
Permissible ambient temperature	-20 °C up to +40 °C <sup>1)</sup> -55 °C up to +55 °C (option)
Rated voltage	690 V AC
Rated current	16 A
Connecting terminals	see technical data for built-in components
PE-connecting terminals	2 x 4 mm <sup>2</sup>
Protection class	I
Degree of protection accd. to EN 60529	IP66 (standard)

	Type 413 84	Type 413 85
Cable glands/Gland plates/Enclosure drilling	max. 2 x M25; 2 x M20	max. 2 x M25; 2 x M20
Dimensions (L x W x H)	122 x 120 x 81 mm	122 x 120 x 81 mm
Weight (empty)	0.85 kg	1.45 kg
Enclosure material	cast aluminium-silicon (AlSi)	cast aluminium-silicon (AlSi)
Enclosure colour	grey RAL 7031	grey RAL 7031
Components arrangement	2 mounting areas	4 mounting areas

	Type 414 81	Type 414 82
Cable glands/Gland plates/Enclosure drilling	max. 3 x Ø 21 for cable gland M20 max. 2 x Ø 25.5 for cable gland M25	max. 4 x Ø 21 for cable gland M20 max. 2 x Ø 25.5 for cable gland M25
Dimensions (L x W x H)	166 x 140 x 76 mm	286 x 140 x 76 mm
Weight (empty)	1.40 kg	2.10 kg
Enclosure material	stainless steel AISI 316 L	stainless steel AISI 316 L
Enclosure colour	polished	polished
Components arrangement	2 mounting areas	4 mounting areas

<sup>1)</sup>Data for ready configured product

## Ex-control stations - enclosures GHG 413 / 414



Type 413 84



Type 413 85



Type 414 81



Type 414 82

### 4 Ordering codes (Code 1)

1. Enclosure	2. Components arrangement/terminals				3. Labels/ padlocking facility	4. Cable glands
	Mounting area 1	Mounting area 2	Mounting area 3	Mounting area 4		
<b>413 84</b>	X	X	–	–	X	X
<b>413 85</b>	X	X	X	X	X	X
<b>414 81</b>	X	X	–	–	X	X
<b>414 82</b>	X	X	X	X	X	X

### Possible components (Code 1)

Component	Code	Component	Code
Pushbutton (2-pole or 4-pole <sup>1)</sup> )	DRT	Measuring instrument	AM72 <sup>1)</sup>
Double pushbutton (2-pole or 4-pole <sup>1)</sup> )	DDT	Measuring instrument	AM45
Key-operated pushbutton (2-pole or 4-pole <sup>1)</sup> )	SLT	Signal lamp	SIL
Key-operated switch (2-pole or 4-pole <sup>1)</sup> )	SLS	Potentiometer	POT
Control switch (2-pole or 4-pole <sup>1)</sup> )	SCT	Terminal block (4 mm <sup>2</sup> )	KLM
Mushroom-head pushbutton (2-pole or 4-pole <sup>1)</sup> )	SGT	Blanking element	BLV
Control switch	GHG 23 <sup>1)</sup>		

<sup>1)</sup> 2 mounting areas are needed



Type 414 82



Type 414 81

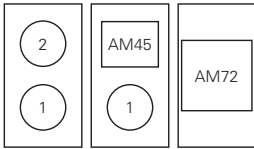


Type 413 85

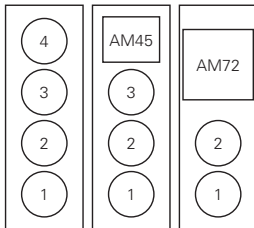
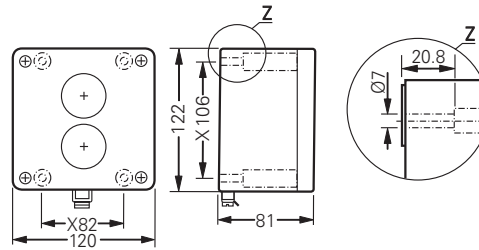


Type 413 84

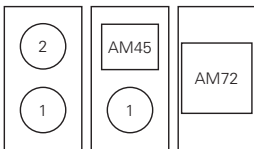
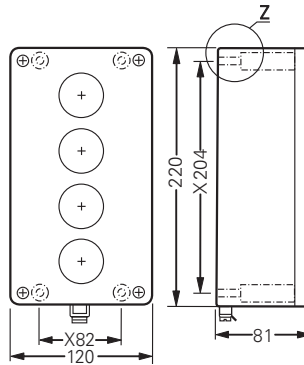
Mounting areas I Dimension drawing



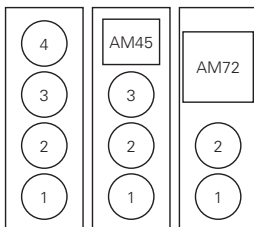
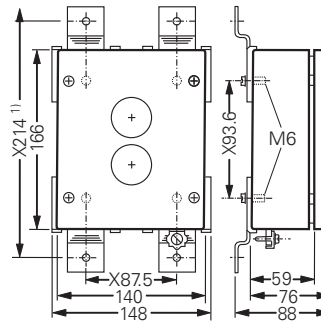
Type 413 84



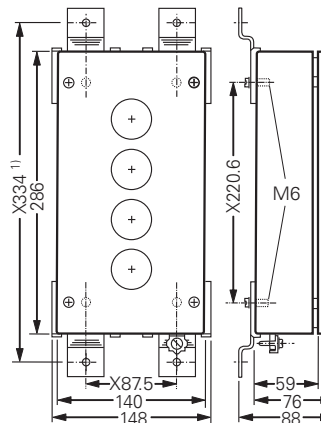
Type 413 85



Type 414 81



Type 414 82



X = fixing dimension

Dimensions in mm