

Ex safety sensor

Ex RC Si 56 1Ö/1S - 5m

Material number: 1184598 (Material number old: 25603502)

Features/Options:

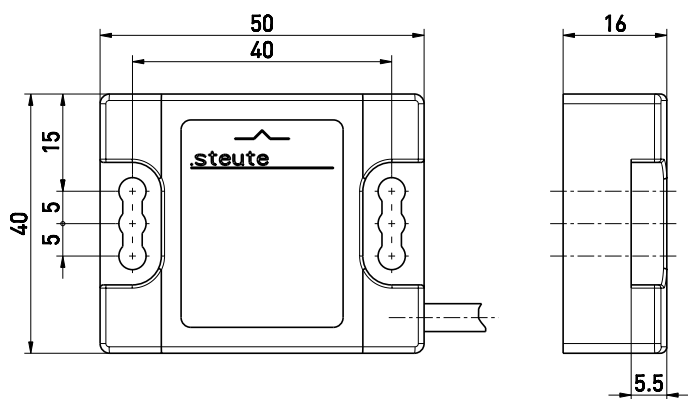
- Ex zone 1 and 21
- Thermoplastic enclosure
- Long life
- Reed contacts, coded

- Actuation from front
- Switching distance up to 6 mm
- Attention: Please state required international approvals with your order!

Notes

- The actuator is not included in the delivery of the switches

Dimensions



Technical data

Applied standards	EN ISO 13849-1, EN 60947-5-3, EN ISO 14119, EN 60079-0, EN 60079-18
Enclosure	thermoplastic, glass-fibre reinforced, impact resistant, self-extinguishing UL 94 V-0
Sensor type	type 4 interlocking device
Coding level	low coding
Degree of protection	IP 67 to IEC/EN 60529
Safety-relevant data:	
EN ISO 13849-1	Performance Level PL e
Category	4
B_{10d} (10 % load)	20 million
T_M	max. 20 years
MTTF _d	> 100 years
DC/DC _{avg}	> 99 %
Switching system	reed contacts
Switching elements	1 NC/1 NO contact
Connection	Pre-wired cable 4 x AWG 24 UL
Cable cross-section	4 x 0.22 mm ²
Cable length	5 m
Switching voltage	max. 30 VDC
Rated operating current/voltage I_e/U_e	max. 125 mA / 24 VDC
Voltage drop at I_e	max. 2.5 V
Switching frequency	max. 5 Hz

Ex safety sensor

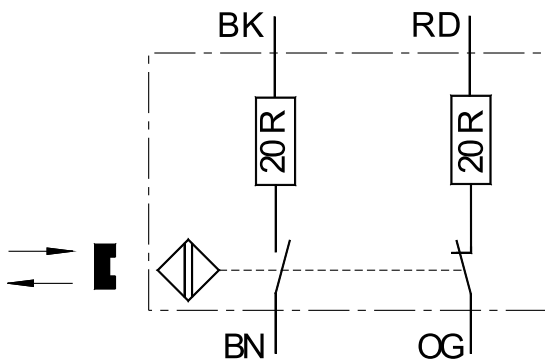
Ex RC Si 56 1Ö/1S - 5m

Material number: 1184598 (Material number old: 25603502)

Technical data

Switching distances	s_n 6 mm, s_{a0} 4 mm, s_{ar} 30 mm
Repeatability	± 0.5 mm
Hysteresis	approx. 24 mm
Degree of pollution	3
Safety class	II
Ambient temperature	T6: -20 °C ... $+70$ °C, T5: -20 °C ... $+85$ °C
Mechanical life	> 10 million operations
Impact energy	max. 7 J
Ex marking	<p>⊕ II 2G Ex mb IIC T6/T5 Gb</p> <p>⊕ II 2D Ex mb IIIC T80 °C/T95 °C Db IP67</p> <p>IECEX Ex mb IIC T6/T5 Gb</p> <p>Ex mb IIIC T80 °C/ T95 °C Db IP67</p>
Approvals	<p>PTB 08 ATEX 2027 X</p> <p>IECEX PTB 08.0042 X</p>
Note	The safety-related data are only valid in combination with a safety module, e.g. SRM 21 RT2 (mat. no. 1179203).
Weight	180 g

Contact diagram



Axial misalignment

