

Lumiglas Luminaire Series SLM

– for use with screwed sightglass fittings –

DATA SHEET 06.02.01

Application:

This luminaire is designed for integral light/sight ports to illuminate the internals of bioreactors, laboratory, filters, boilers, tanks, mixers, separators, pipelines and other vessels or reactors which are normally closed. The SLM is intended for use in **Non Ex Hazardous Areas**. It is frequently used in **pharmaceutical plants** and suitable for **food processing**.

Sightglass Styles and Size:

This luminaire is designed to give glare free illumination in combination with circular sightglasses to DIN 11 851 or similar from DN 65 to DN 125.

Protection:

When correctly fitted, dust and waterjet proof to IP 65 and EN 60529/ DIN VDE 0470 T1.

Ambient Condition Operating Range:

The unit is independent of any internal vessel pressure or vacuum. It is suitable for temperatures of 80° C at the cable gland. Where ambient temperature lies above 40° C heat resistant cable, e.g. 4GMH4G-J 3 x 1,5 mm² must be fitted.

Electrical Data:

- Power supply 24 V; alternatively 12 V; 120 V on larger sizes
- 2-pin halogen lamp 20, 50 or 100 W
- 2-pin socket

Switch/Pushbutton

SLM type luminaires are supplied with built-in pushbutton as standard.

Transformers:

Transformers can be supplied optionally (separate units).

Mechanical fitting:

- Remove slotted cover nut from sightglass.
- Pass cover nut over luminaire (see "Important Note" below).
- Ensure sightglass disc seats correctly in female fitting/seal.
- Place luminaire and cover in correct position on female fitting and tighten cover nut.

Important Note: If you want to install a Lumiglas SLM luminaire into a standard type screwed sightglass fitting, you must either order a special cover nut with the luminaire or the existing cover nut must be mechanically altered (contact Lumiglas for details).

Electrical Connection:

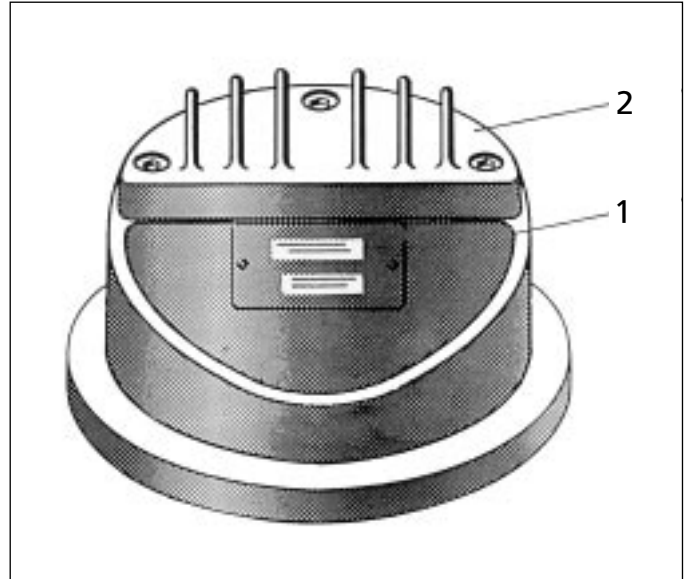
- Electrical connection must be carried out after mechanical fitting!
- Select correct type of cable to suit operating conditions.
 - Select cable diameter to suit cable gland.
 - Loosen lamp box cover screws and remove cover.
 - Pass cable through gland, fit bared core ends into terminal block.
 - Tighten cable gland.
 - Fit undamaged gasket and lid, tighten screws.

Lamp Change:

There are two ways to change the halogen lamp, depending on the status of the vessel. Caution: Check vessel for pressure and temperature before opening a sightglass fitting! If the vessel is not under pressure or temperature, the whole lamp can be taken out of the fitting to replace the lamp. With a pressurized/heated vessel, the lamp is opened to change the halogen lamp without removing the sightglass fitting (see overleaf for lamp change instructions).

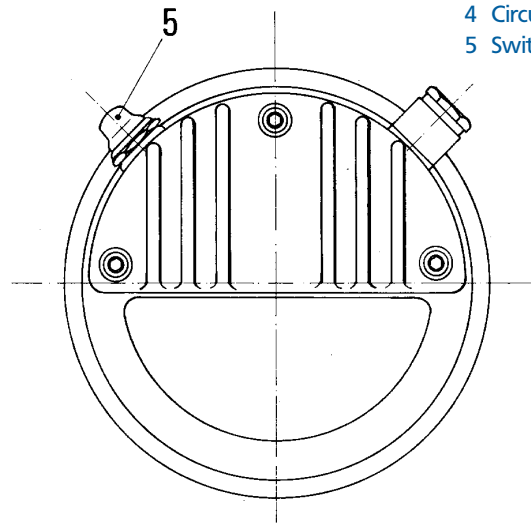
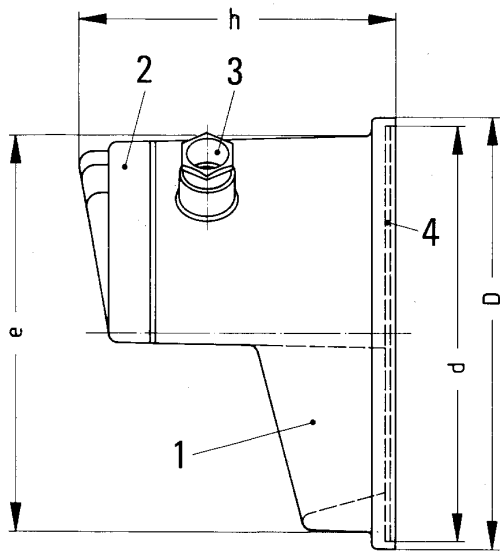


Complete Lumiglas Luminaire of the SLM Series.



Lumiglas Luminaire type SLM: Cover 2 on luminaire housing 1 can be removed to change the halogen lamp without loosening the sightglass fittings.

Dimensions and electrical data of Lumiglas Luminaire type SLM



- Item 1 Luminaire housing
- 2 Cover
- 3 Cable gland
- 4 Circular gasket with bridge
- 5 Switch with separate sealing cap

Parts, Construction and Materials:

- Luminaire body: Corrosion resistant die cast aluminium, painted alum.-grey (RAL 9007), also suppliable in a stainless steel version; please see data sheet 06.02 "Stainless Steel Lumiglas Luminaire Model Lumistar ME".
- Suitable for food processing.
- Cover of Luminaire (2) is screwed to Luminaire housing (1) with inserted flat flexible gasket to form the connector box. A built-in switch with separate sealing cap (5) for intermittent use is standard. Electrical connection through cable gland (3) to inside terminals 2.5 mm².

Ordering Information: Please state for example: Lumiglas luminaire SLM 80/24V - 20 Watt.

Size		1	2	3	4
Lumiglas-Luminaire	Typ	SLM 65	SLM 80	SLM 100	SLM 125
Compatible with screwed sightglass fittings to DIN 11851 or similar	DN	65	80	100	125
Voltage (optional)	V	24	24	24	24
Wattage	W	20	20	50	50 oder 100
Dimensions	D	90	102	123	151,5
	d	84	96	118,5	146,5
	e	78	92	113	136
	h	66	84,5	92	101
weight approx.	kg	0,325	0,425	0,720	0,850

Combination with Lumiglas Sightglass Wiper type SW 1: Lumiglas Luminaire type SLM 125 can be combined with wiper type SW 1.

Instructions for Lamp Change:

a) with sightport unit not under pressure/temperature:

- Switch off the luminaire.
- Loosen and lift off cover nut and luminaire.
- Withdraw defective lamp.
- Replace halogen lamp with lamp of same type and size, use protective cloth/paper to ensure bare fingers do not touch the glass, insert into 2-pin socket hole and gently but firmly push in.
- Refit and tighten luminaire cover nut.
- Switch power to ON.

b) with sightport unit under pressure/temperature

- Switch off luminaire.
- Open cover (part 2) and loosen the lamp holder thus exposed in lampbox (part 1).
- Withdraw holder complete with defective lamp.
- Remove lamp and replace as described above.
- Refit holder and lamp in light box.
- Replace gasket and luminaire lid and tighten screws.
- Switch power to ON.

BD 2000/0299 3755.174

All dimensions in mm unless stated otherwise. Subject to change without prior notice.