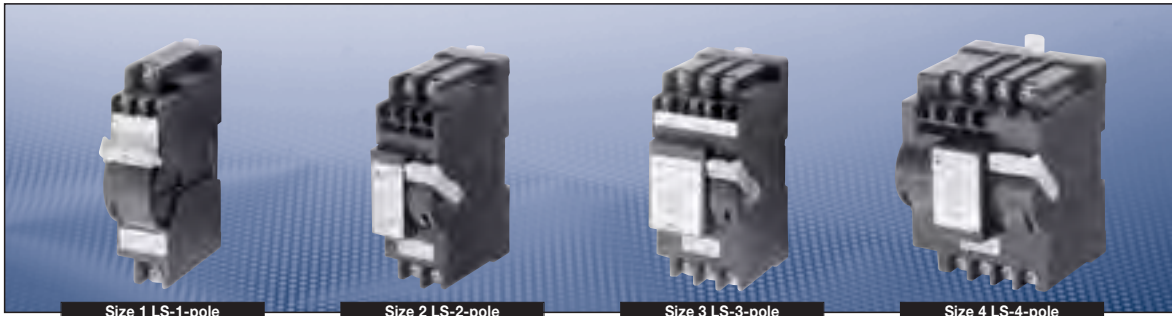


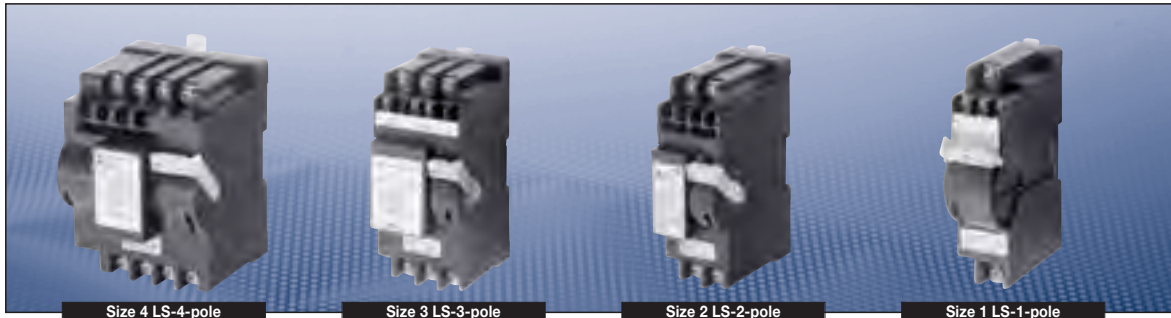
Ex-d-Built-in components



Technical data

MCB 0.5 A to 40 A		
Marking to 94/9/EC	Ⓔ II 2 G Ex de IIC / Ⓔ I M 2 Ex de I	
EC Type Examination Certificate	PTB 98 ATEX 1087 U	
IECEX Certificate of Conformity	IECEX BKI 07.0038 U	
Marking accd. to IECEX	Ex de IIC	
Application temperature ¹⁾	-20 °C to +40 °C / -55 °C to +40 °C (option)	
Rated voltage	Main contact	max. 440 V AC
	Auxiliary contact	max. 250 V AC
Rated current	Main contact	0.5 A to 40 A
	Auxiliary contact	max. 5 A
Rated switching capacity 2/3 phase		10 kA
	230 V AC (133/230 V AC) kA/cos φ	10/0.5
	400 V AC (230/400 V AC) kA/cos φ	10/0.5
Back-up fuse	depend on rated current up to 100 A	
Connection terminals	Main contact	2 x 10 mm ² fine wire with wire end sleeve/single wire
	Auxiliary contact	2 x 2.5 mm ² fine wire with wire end sleeve/single wire
Weight	1 pole	0.55 kg size 1
	2 pole	0.95 kg size 2
	3 pole	1.25 kg size 3
	4 pole	1.57 kg size 4
Enclosure material	Glass-fibre reinforced polyester	
Enclosure colour	black	
Options	auxiliary-signal contact	
Padlocking facility	in OFF position with a commercially available padlock	

¹⁾ Depend on installation



Ex-Built-in components

MCB 0.5 A to 40 A

GHG 612 XXXX R0YYY

1. Contacts

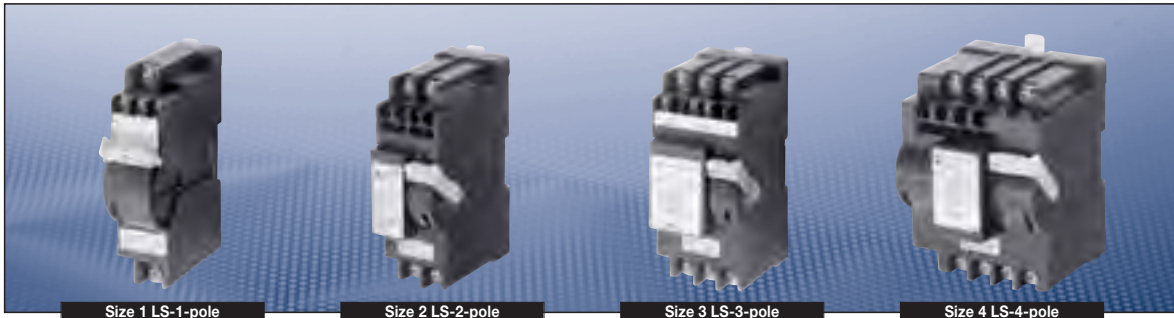
1. Contacts

Contacts	Termination diagram ¹⁾	1 pole (xxxx)	Module size ²⁾	2 pole (xxxx)	Module size ²⁾	3 pole (xxxx)	Module size ²⁾	4 pole (xxxx)	Module size ²⁾
Only main contact	A1 to A5	1141	1	2141	2	3141	3	4141	4
+ auxiliary contact (1 change-over)	B3	1142	1	2142	2	3142	3	4142	4
+ auxiliary contact (1NO+1NC)	B1, B2			3150	3				
+ auxiliary contact (2NO)	B4					4168	4		
+ N + auxiliary contact (1NO+1NC)	A5, B1, B2					4166	4		
+ signal contact (1 change-over)	C3	2148	2	3157	3	4147	4	4143	4
+ signal contact (1NC) + auxiliary contact (1NO)	C2 + B1					4148	4		
+ signal contact (1NO) + auxiliary contact (1NO)	C1 + B1					4161	4	4160	4
+ signal contact (1NC) + auxiliary contact (1NC)	C2 + B2					4163	4		
+ overload release (12 - 60 V)	D	2150	2	3147	3				
+ overload release (110 - 415 V)	D	2151	2	3146	3	4146	4		
+ undervoltage trip	E			3148	3	4144	4		
+ signal contact (1 change-over)	C3								
+ auxiliary contact (1 change-over)	B3			3143	3	4164	4		
+ overload release (110 - 415 V)	D								
+ signal contact (1 change-over)	C3			4159	4				
+ overload release (12 - 60 V)	D								
+ auxiliary contact (1 change-over)	B3			3149	3				
+ overload release (110 - 415 V)	D								
+ signal contact (1 change-over)	C3								
+ auxiliary contact (1 change-over)	B3			4165	4				
+ overload release (12 - 60 V)	D								
+ signal contact (1 change-over)	C3								
+ auxiliary contact (1 change-over)	B3			4169	4				
+ undervoltage trip	E								
+ signal contact (1 change-over)	C3					4167	4		
+ undervoltage trip	E								
+ signal contact (1 change-over)	C3								
+ auxiliary contact (1 change-over)	B3					4174	4		

¹⁾ Termination diagram see page 11.20

²⁾ Module size see dimension drawing page 11.21

Ex-d-Built-in components



Ex-Built-in components

MCB 0.5 A to 40 A

GHG 612 XXXX R0YYY

2. Tripping current

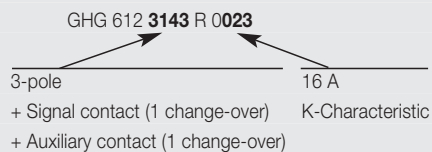
2. Tripping current, characteristic, max. back-up fuse, power dissipation per pole

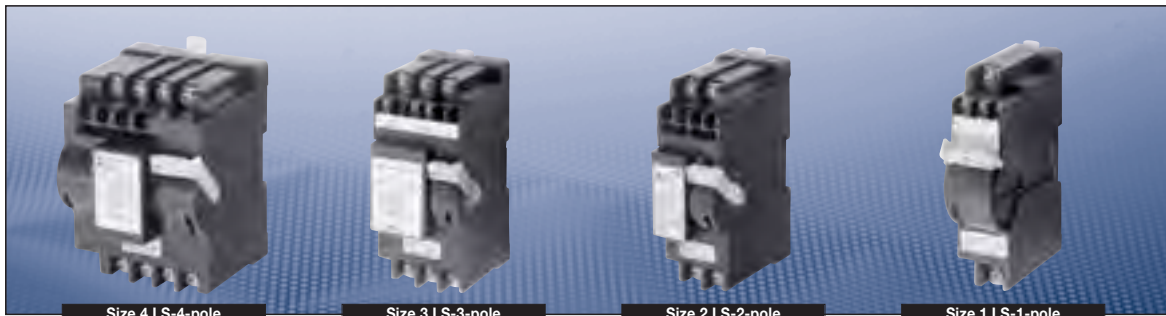
Tripping current	Characteristic K		Characteristic Z		Characteristic B		Characteristic C	
	Max. back-up fuse	YYY	Max. back-up fuse	YYY	Max. back-up fuse	YYY	Max. back-up fuse	YYY
	gL		gL		gL		gL	
0,5 A		013		081				121
0,75 A	not necessary	014	not necessary	082			not necessary	122
1,0 A		015		083		123		
1,6 A		016		084		124		
2 A		017		085		125		
3 A	20 A	018	20 A	086			20 A	126
4 A	25 A	019	20 A	087			20 A	127
6 A	63 A	020	35 A	088	63 A	101	40 A	128
8 A	63 A	021	40 A	089			63 A	129
10 A	63 A	022	63 A		100 A	102	100 A	130
13 A					100 A	103	100 A	131
16 A	80 A	023	63 A	090	100 A	104	100 A	132
20 A	81 A	024	80 A	091	100 A	105	100 A	133
25 A	100 A	025	80 A	092	100 A	106	100 A	134
32 A	100 A	026	100 A	093	100 A	107	100 A	135
40 A	125 A	027	100 A	094	125 A	108	125 A	

Back-up fuse is only required if at the installation point the max. prospective, unaffected short-circuit current will exceed the rated switching capacity.

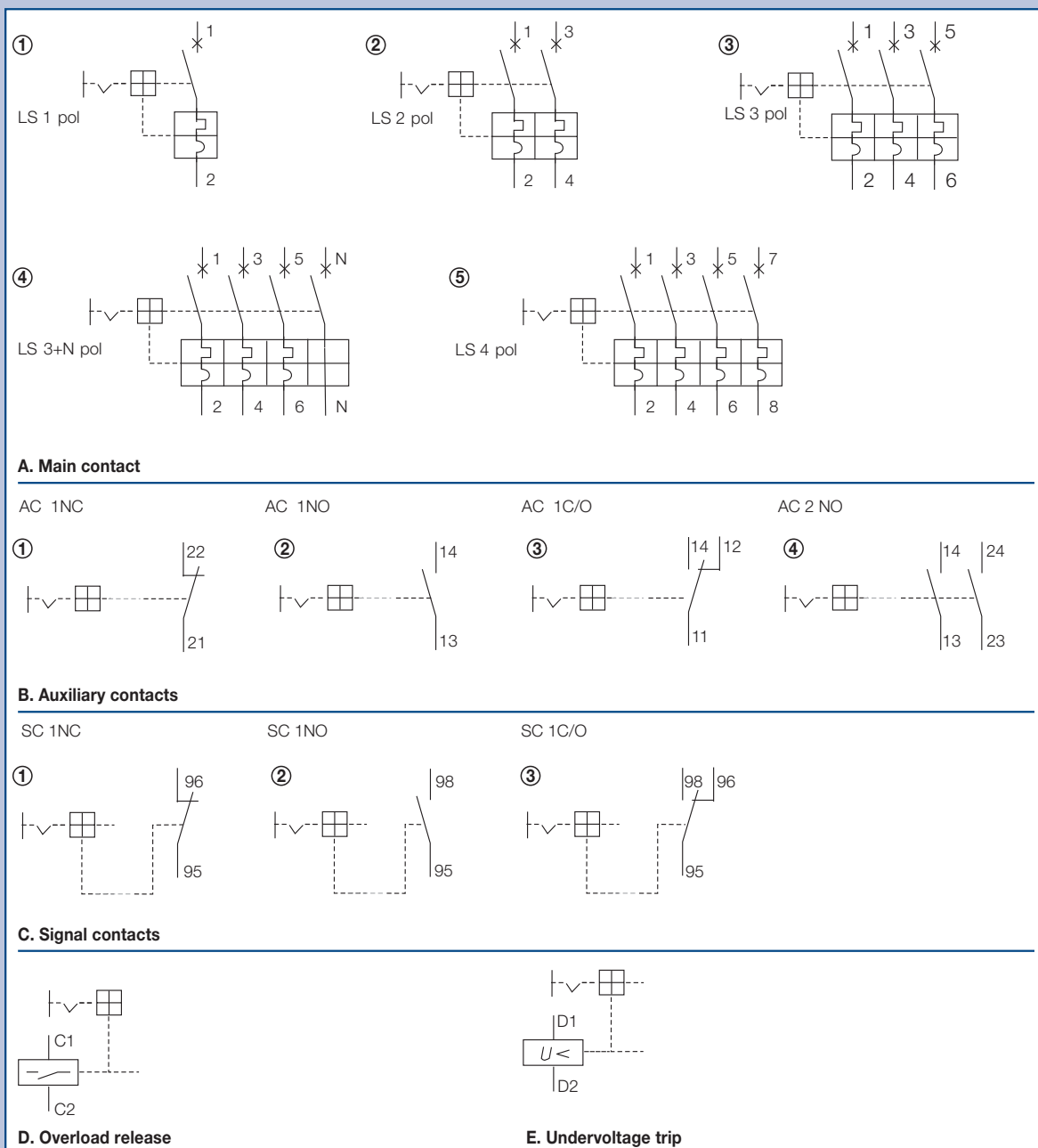
Example

GHG 612 XXXX R 0YYY





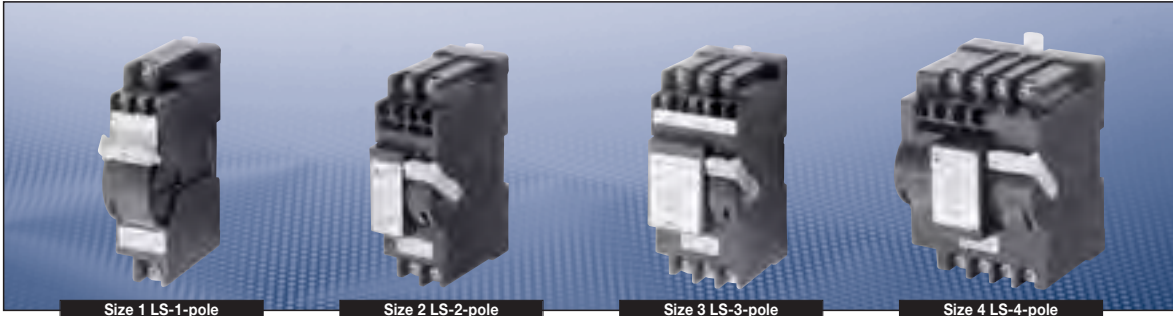
Termination diagram



MC = Main contact
 AC = Auxiliary contact
 SC = Signal contact
 OR = Overload release
 UT = Undervoltage trip

1
2
3
4
5
6
7
8
9
10
11
12

Ex-d-Built-in components



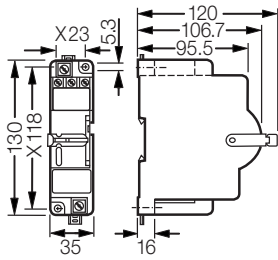
Size 1 LS-1-pole

Size 2 LS-2-pole

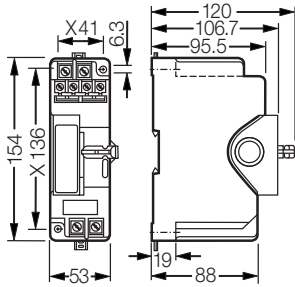
Size 3 LS-3-pole

Size 4 LS-4-pole

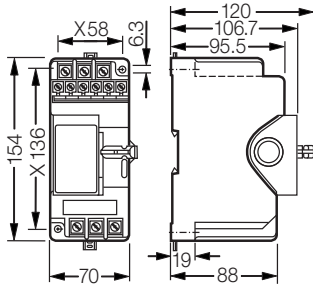
Dimension drawing



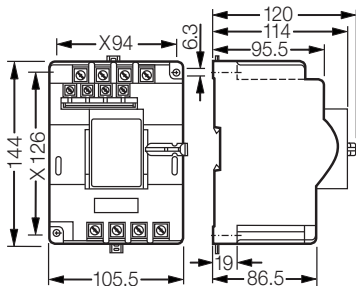
Module size 1



Module size 2



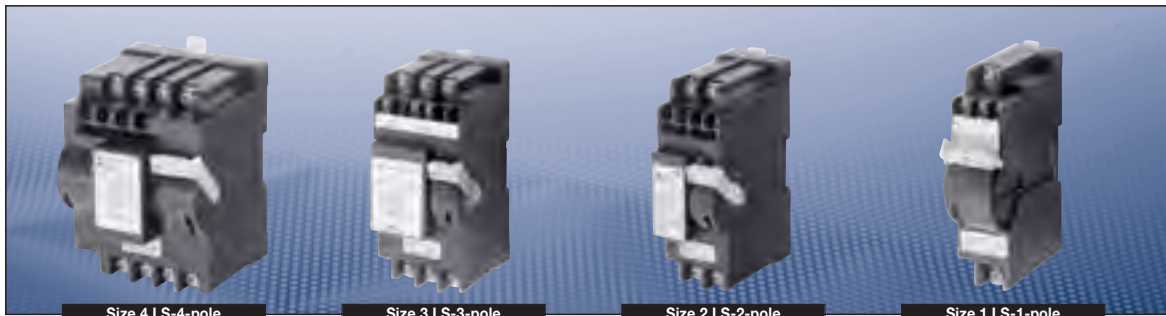
Module size 3



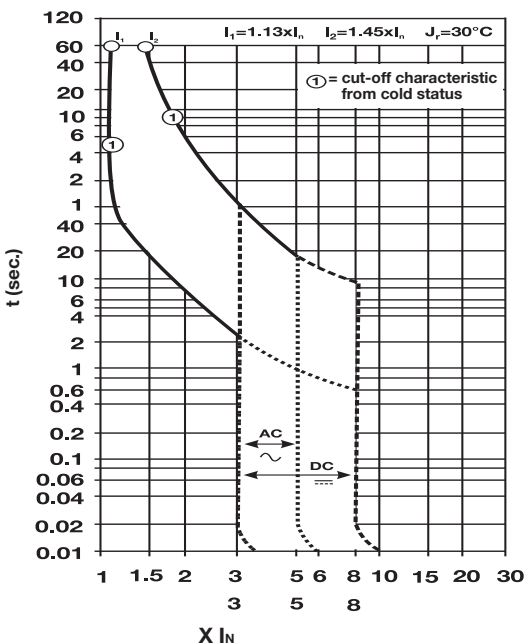
Module size 4

X = fixing dimensions

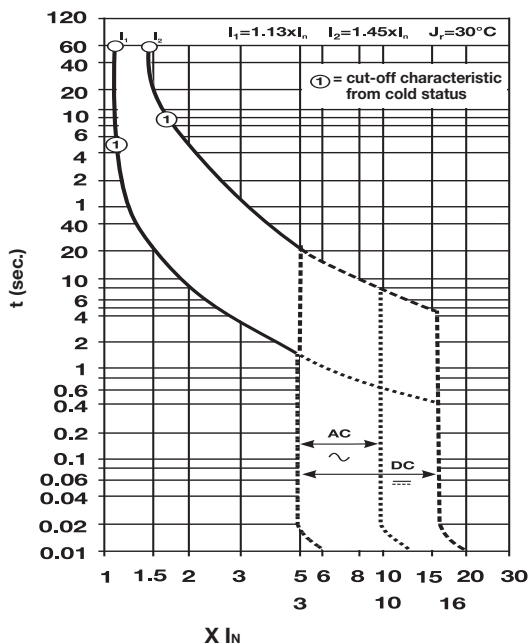
Dimensions in mm



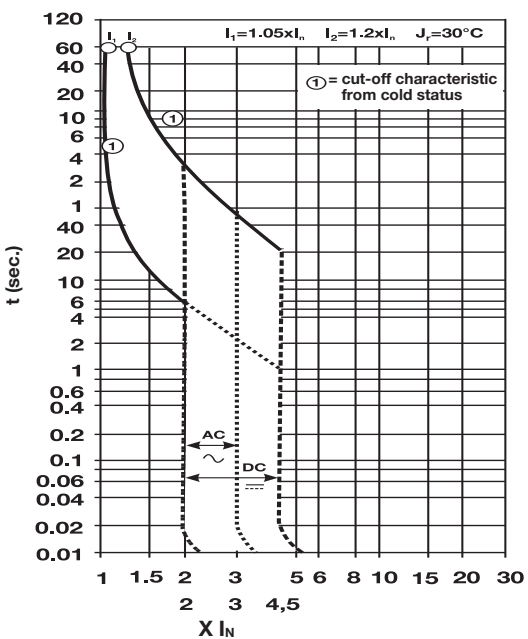
Tripping characteristic



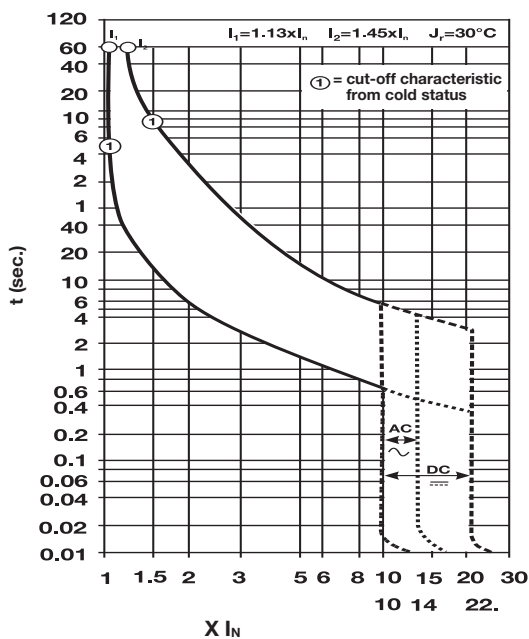
B-Characteristic



C-Characteristic



Z-Characteristic



K-Characteristic

Dimensions in mm

1
2
3
4
5
6
7
8
9
10
11
12