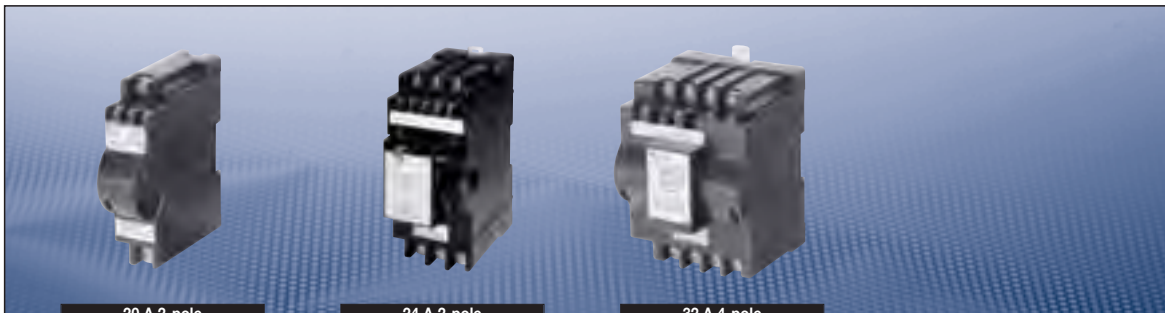


Ex-d-Built-in components

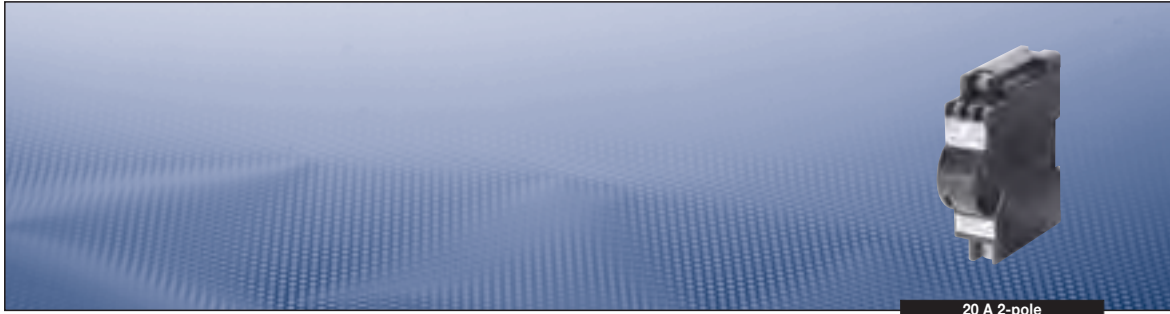


Technical data

Installation contactor 20 A up to 32 A

Marking to 94/9/EC	Ⓔ II 2 G Ex de IIC / Ⓔ I M 2 Ex de I		
EC Type Examination Certificate	PTB 98 ATEX 1087 U		
IECEX Certificate of Conformity	IECEX BKI 07.0038 U		
Marking accd. to IECEX	Ex de IIC		
Application temperature ¹⁾	-20 °C to +40 °C -55 °C to +40 °C (option)		
Contactor	20 A	24 A	32 A
Rated voltage			
Main contact	max. 250 V	440 V	440 V
Auxiliary contact	-	440 V	440 V
Control voltage	24 V to 400 V AC		
Rated current			
Main contact NC	20 A	24 A	32 A
Main contact NO	20 A	24 A	32 A
Auxiliary contact			6 A
Rated making-/rated breaking capacity accd. to EN 60947-4-1			
Main contact AC1 - U _e 230 V	P _e 4.0 kW	P _e 9.0 kW	P _e 15.2 kW
Main contact AC1 - U _e 400 V	-	P _e 16 kW	P _e 26 kW
Main contact AC3 - U _e 230 V	P _e 1.3 kW	P _e 2.2 kW	P _e 5.5 kW
Main contact AC3 - U _e 400 V	-	P _e 4.0 kW	P _e 11 kW
DC3 1 current path U _e 60 V/230 V	-	I _e 4 A/0.2 A	I _e 5 A/0.3 A
DC3 2 current paths U _e 60 V/230 V	-	I _e 14 A/1.0 A	I _e 16 A/1.1 A
DC3 3 current paths U _e 60 V/230 V	-	I _e 24 A/4.0 A	I _e 34 A/4.5 A
Auxiliary contact at U _e 230 V	-		I _e 4 A
Auxiliary contact at U _e 400 V	-	I _e 3 A	I _e 3 A
Back-up fuse	20 A gL	35 A gL	63 A gL
Terminal cross-section			
Main contact	2 x 10 mm ² fine wire with wire end sleeve/single wire		
Auxiliary contact/Coil connection	2 x 2.5 mm ² fine wire with wire end sleeve/single wire		
Control contact	2 x 2.5 mm ² fine wire with wire end sleeve/single wire		
Weight	0.55 kg size 0	1.2 kg size 3	1.65 kg size 4
Enclosure material	Glass-fibre reinforced polyester		
Enclosure colour	black		
Options	Auxiliary contact		

¹⁾ Depend on installation



20 A 2-pole

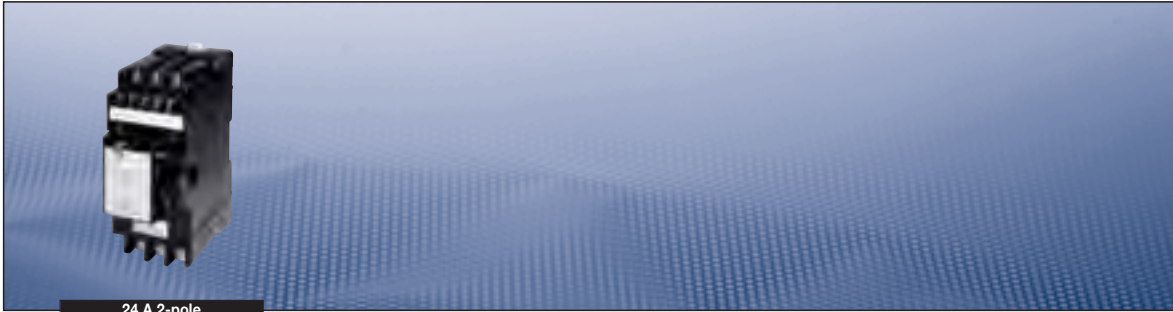
Ex-Built-in components

Installation contactor 20 A

Ordering details

Control voltage A1-A2	Contacts	Order No.
24 V AC	2 NO	GHG 618 0001 R0010
24 V AC	2 NC	GHG 618 0001 R0011
24 V AC	1 NO / 1 NC	GHG 618 0001 R0012
42 V AC	2 NO	GHG 618 0001 R0007
42 V AC	2 NC	GHG 618 0001 R0008
42 V AC	1 NO / 1 NC	GHG 618 0001 R0009
110 V AC	2 NO	GHG 618 0001 R0004
110 V AC	2 NC	GHG 618 0001 R0005
110 V AC	1 NO / 1 NC	GHG 618 0001 R0006
230 V AC	2 NO	GHG 618 0001 R0001
230 V AC	2 NC	GHG 618 0001 R0002
230 V AC	1 NO / 1 NC	GHG 618 0001 R0003
240 V AC	2 NO	GHG 618 0001 R0016
240 V AC	2 NC	GHG 618 0001 R0017
240 V AC	1 NO / 1 NC	GHG 618 0001 R0018
380 V AC	2 NO	GHG 618 0001 R0013
380 V AC	2 NC	GHG 618 0001 R0014
380 V AC	1 NO / 1 NC	GHG 618 0001 R0015

Ex-d-Built-in components



24 A 2-pole

Ex-Built-in components

Installation contactor 24 A

GHG 618 3118 RXXXX

Coil voltage / Contacts

Coil voltage and contacts

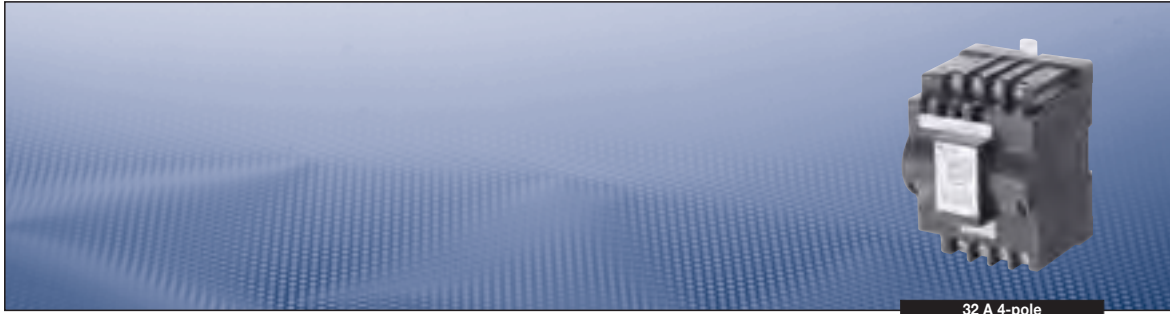
Control voltage A1-A2 AC 40 – 400 Hz/DC	Contacts (XXXX)			
	1 NO / 3 NC	2 NO / 2 NC	3 NO / 1 NC	4 NO
24 V	1301	2201	3101	4001
42 V	1302	2202	3102	4002
48 V	1303	2203	3103	4003
110-127 V	1304	2204	3104	4004
240 V	1305	2205	3105	4005
230-240 V	1306	2206	3106	4006
380-415 V	1307	2207	3107	4007

Control voltage A1-A2 AC 40 – 400 Hz/DC	Contacts (XXXX)		
	1 NO / 2 NC + 1 HSK	2 NO / 1 NC + 1 HSK	3 NO + 1 HSK
12 V	1309	2209	3109
24 V	1311	2211	3111
110 V	1314	2214	3114
220-240 V	1316	2216	3116
380-415 V	1317	2217	3117

Example

GHG 618 3118 RXXXX





32 A 4-pole

Ex-Built-in components

Installation contactor 32 A

GHG 618 4109 RYYYY

Coil voltage / Contacts

Coil voltage and contacts

Control voltage A1-A2 AC 40 – 400 Hz/DC	Contacts (YYYY)		
	4 x NO	4 x NO + 1NC (AC)	4 x NO + 1NO (AC)
24 V	4001	4011	4101
48 V	4003	4013	4103
110 V	4004	4014	4104
240 V	4005	4015	4105
230 V	4006	4016	4106
380 V	4007	4017	4107
415 V	4008	4018	4108

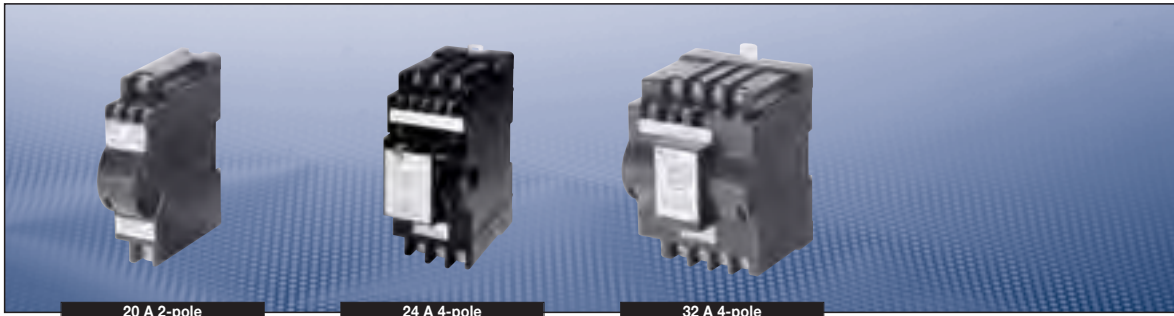
Example

GHG 618 41 09 RXXXX



MC = Main contact
AC = Auxiliary contact

Ex-d-Built-in components

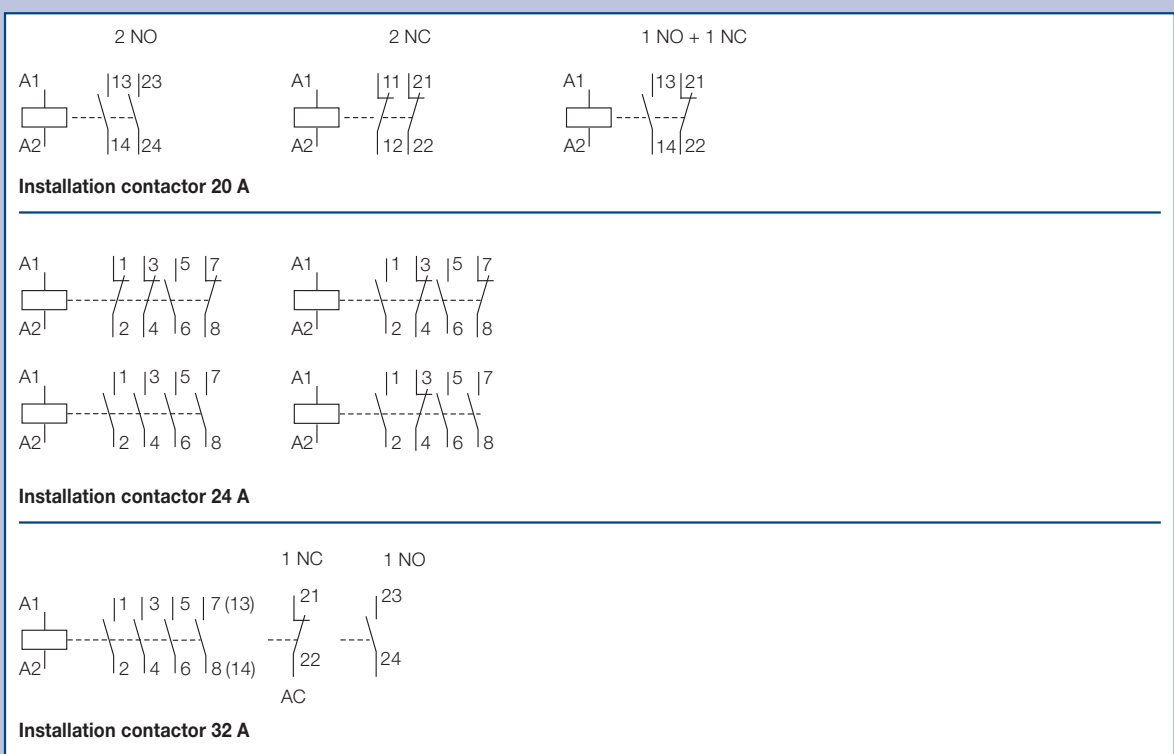


20 A 2-pole

24 A 4-pole

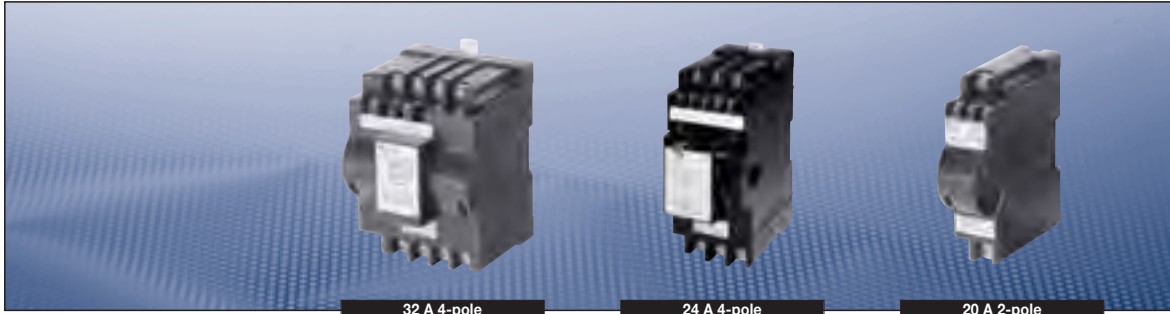
32 A 4-pole

Termination diagram



AC = Auxiliary contact

Dimensions in mm

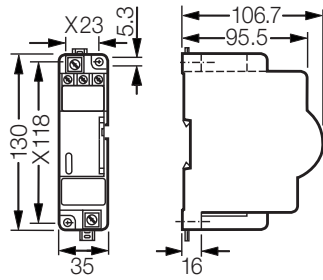


32 A 4-pole

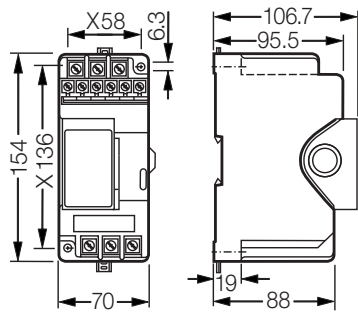
24 A 4-pole

20 A 2-pole

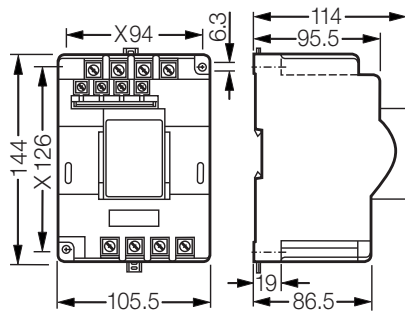
Dimension drawing



Module size 0



Module size 3



Module size 4

X = fixing dimensions

Dimensions in mm